

GNU/Linux (Lezione 1)

Glossario dell'hacker

SOFTWARE TERMINOLOGY

Then

application
program
operating system
script
shell
batch file
compiler
daemon
service
game
patch
software

Now

app
app
app
app
app
app
app
app
app
app
app
app



Hacker

PC

EULA

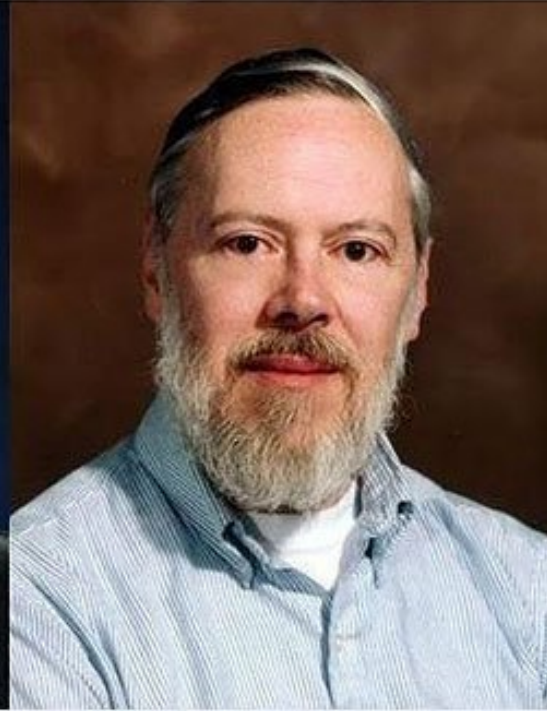
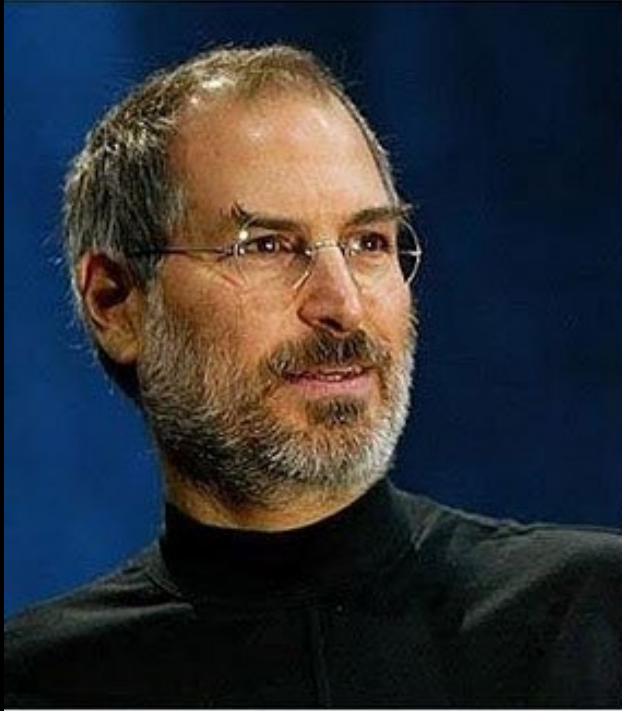
Unix



1970

Become a Hipster
Sell Stolen Ideas

Invent C
and UNIX



Praised by Media as
Jesus of Computing

Ignored

Without Steve Jobs (February 24, 1955 – October 5, 2011) we would have:

No iProducts
No over expensive laptops

Without Dennis Ritchie (September 9, 1941 – October 12, 2011) we would have:

No Windows
No Unix
No C
No Programs
A large setback in computing
No Generic-text Languages.
We would all read in Binary..

They died in the same year and the same month but it seems only few notice the death of Dennis Ritchie compared to Steve Jobs.

MS-DOS

64K High Memory Area is available.

This driver is provided by Oak Technology, Inc..
OTI-91X ATAPI CD-ROM device driver, Rev D91XU352
(C)Copyright Oak Technology Inc. 1987-1997
Device Name : 12345678
Transfer Mode : Programmed I/O
Number of drives : 1

C:\>C:\DOS\SMARTDRV.EXE /X

MODE prepare code page function completed

MODE select code page function completed

MSCDEX Version 2.23

Copyright (C) Microsoft Corp. 1986-1993. All rights reserved.

Drive D: = Driver 12345678 unit 0

CuteMouse v1.9 [FreeDOS]

Installed at PS/2 port

C:\>_

Unix-like

Copyright
Copyleft

free

Libertà 0
Run

Libertà 1
Study + Change

Libertà 2
Share copies

Libertà 3
Share modified copies

Richard Stallman



GNU

Emacs

sed

screen

Parted

GCC

wget

GRUB

GTK+

Bash

grep

nano

gzip

tar

Chess

octave

GNOME

mailutils

GIMP

gettext

barcode

Linux-libre

Health

gnuplot

coreutils

dia

backgammon

1984

GNU is not Unix :^)



Sistema operativo

Kernel

Linus Torvalds

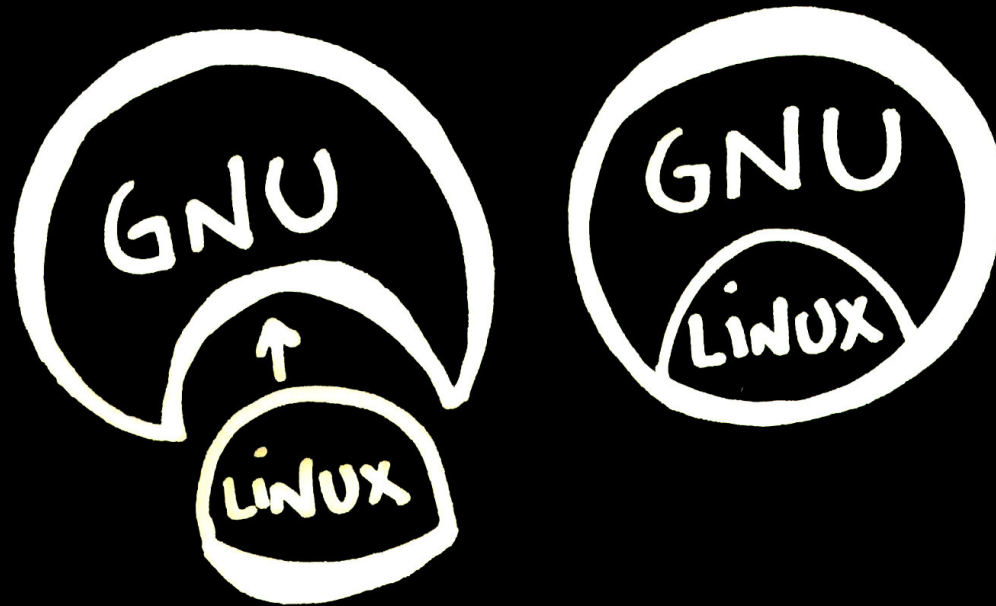


“Open Source”

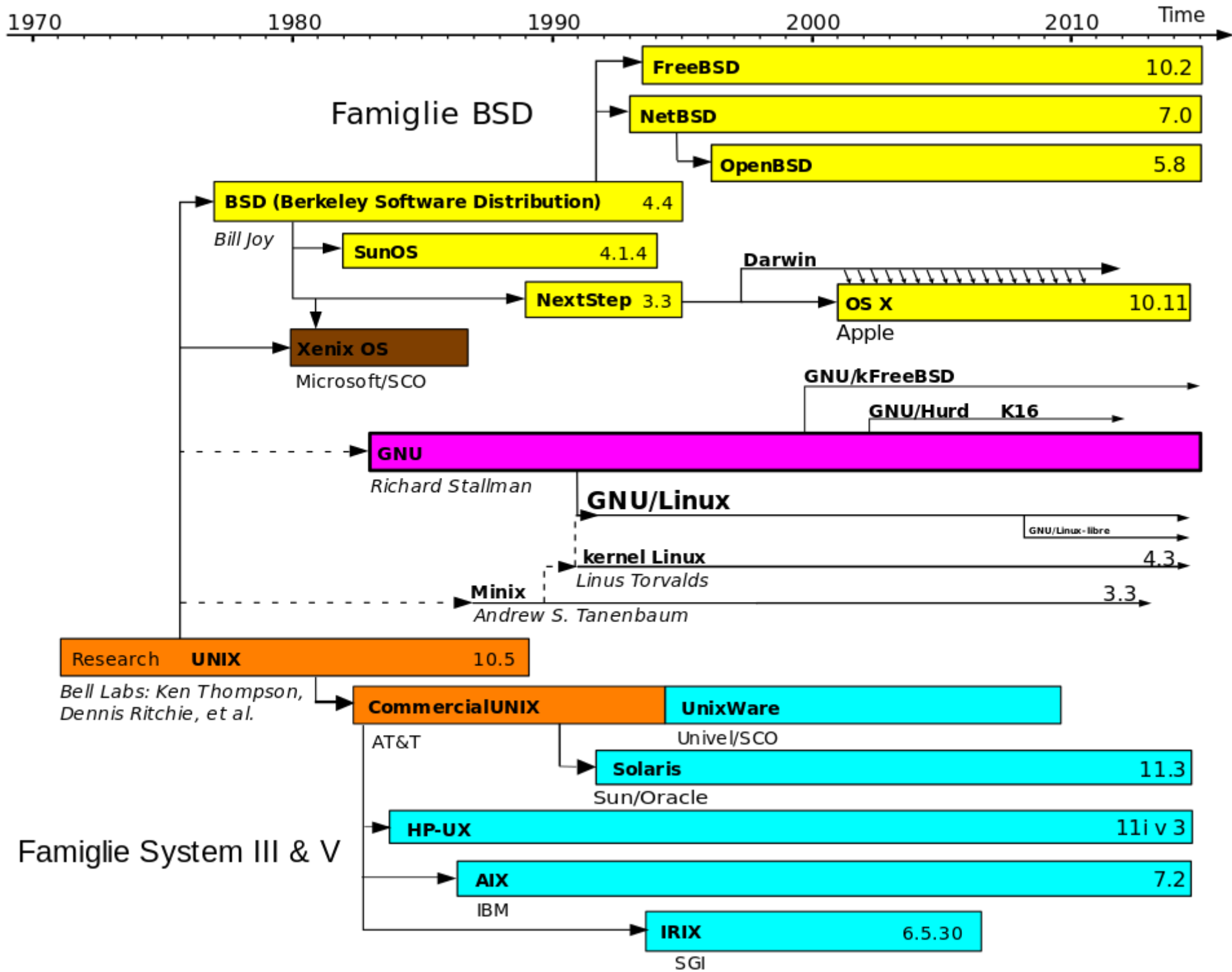
Kernel Linux

1991

GNU/Linux



GNU/Linux	= GNU + Linux
GNU/Hurd	= GNU + GNU Hurd
GNU/kFreeBSD	= GNU + kFreeBSD
Android	= MegaRobalnJava + Linux



Distribuzione

Gestore grafico

Live

Partizione

Grub

Debian

Packaging
+
Dipendenze

RTFM

mount

/etc/

/home/foo

/tmp/

/var/

Standard

Terminando. Non fatevi chiamare
nativi digitali

**Siate davvero curiosi
e molto affamati**